

Specifications

HOUSING: Heavy-gauge, extruded, solid copper or stainless steel housing fitted to a precision CNC-machined, solid-brass base with a silicone o-ring gasket – providing a superior weather-tight seal.
FINISH: Brushed natural copper or stainless steel and brass. (Brushed copper will rapidly age to an elegant rich bronzelike color and may develop areas of patina over time.)
SOCKET/LAMP HOLDER: Top grade ceramic socket with nickel contacts, stainless steel springs, and Teflon-jacketed wire leads.
LENS: Clear, tempered, shock- and heat-resistant, soda-lime glass lens. Optical effect lenses are available; please see accessories column on fixture ordering information.

LAMP TYPE: Standard lamp included with fixture. For other lamp and wattage options see Lamp Guide, pages 138–139.
PHOTOMETRICS: For photometric data, see pages 143–147.
MOUNTING: Cast brass adjustable knuckle with 1/2" NPT. Fixture may be mounted into threaded hubs in junction boxes, ground stakes, or tree-mount boxes. Please see fixture ordering information for mounting selection. (For optional mounting accessories see pages 134–135.)
FASTENERS/INSERTS: Fasteners are stainless steel and brass.

WIRING: All fixtures are prewired with a three-foot pigtail of 18-2 direct-burial cable and underground connectors for a secure connection to the supply cable.

LED Specifications

LED: Type 3 Luxeon High Output LED with Vista exclusive smart-driver, powered to operate for 50,000 hours.
OPTICS: Integral high-efficiency optics available in spot through flood beam spreads.
ELECTRICAL: Input voltage range 6–15V AC, regulated to achieve uniform illumination throughout the cable run of fixtures. Integral surge and reverse polarity protection.



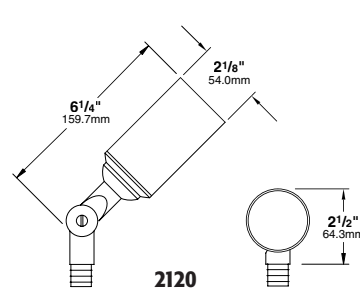
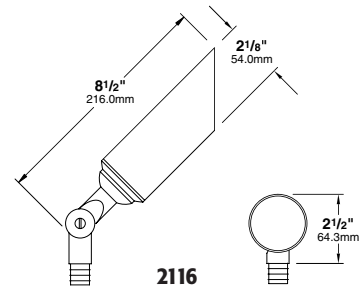
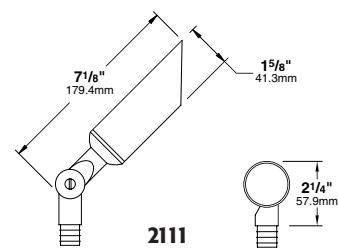
2120 Copper or SS **MR-16** or **LED**
35 W Max **LN-20 BAB Std.**



2116 Copper or SS **MR-16** or **LED**
35 W Max **LN-20 BAB Std.**



2111 Copper **MR-11** Lamp
35 W Max **LN-20 FTD Std.**



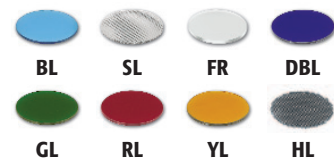
FIXTURE ORDERING INFORMATION

TO ORDER FIXTURE: Select appropriate choice from each column as in the following example
EXAMPLE: GR-2116-CSN-BAB-BL

Not all accessories are available for all fixtures – please see all footnotes below before ordering.

MOUNTING	CATALOG NO.	FINISH	LAMP	ACCESSORIES
GR – ABS ground stake incl.	2111**	CSN – Natural Copper and Brass	(Please see lamp order code column on lamp guide, pages 138–139.)	BL – Flat Cool Blue lens
WB* – Solid brass wall mount canopy incl.	2116	SS – Natural Stainless Steel and Brass	LED	SL – Flat Spread lens
	2120		(Please see LED order code column on lamp guide, page 142, Group A.)	FR – Flat Frosted lens
				DBL – Flat Dark Blue lens
				GL – Flat Dark Green lens
				RL – Flat Red lens
				YL – Flat Amber lens
				HL – Honeycomb louver

Check throughout this catalog for the LED available logo, designating products that can be ordered with LED lamp assemblies.



Fixtures shipped with standard lamp, unless otherwise specified. Fixtures shipped with specified mounting hardware.

*Powder-coated die-cast aluminum tree-mount junction box and wall-mount canopy are also available. Please see ACCESSORIES, pages 134–135 for ordering information.

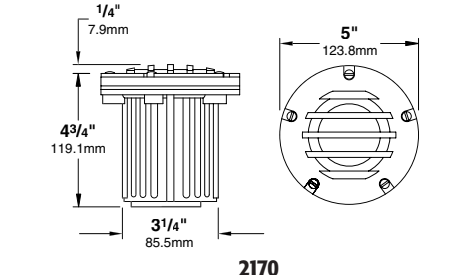
**Model 2111 available in Natural Copper and Brass only.

Specifications

HOUSING: Injection-molded, fiber-reinforced polymer, specially formulated to add strength and exceptional UV stability – warranted for ten years against corrosion.
LENS COVER: Precision CNC-machined solid brass lens cover fitted to the housing with a silicone o-ring gasketed lens – providing a superior weather-tight seal.
FINISH: Natural brass lens cover. Housing available in black only.
SOCKET/LAMP HOLDER: Top grade ceramic socket with nickel contacts, stainless steel springs, and Teflon-jacketed wire leads.
LENS: Clear, tempered, shock- and heat-resistant, soda-lime glass lens – crowned (convex) to promote water runoff. Optical effect lenses are available, please see accessories column on fixture ordering information.



2170 Brass **MR-16** Lamp or **LED**
50 W Max **LN-20 BAB/FG Standard**



FIXTURE ORDERING INFORMATION

TO ORDER FIXTURE: Select appropriate choice from each column as in the following example
EXAMPLE: GW-2170-CSN-BAB-SL

MOUNTING	CATALOG NO.	LENS COVER	LAMP	ACCESSORIES
GW – In-grade	2170	CSN – Natural Brass	(Please see lamp order code column on lamp guide, pages 138–139.)	CBL – Crowned Cool Blue lens
CM – In-grade conduit mount	2171		LED	CFR – Crowned Frosted lens
	2172		(Please see LED order code column on lamp guide, page 142, Group A.)	SL – Flat Spread lens
				DBL – Flat Dark Blue lens
				GL – Flat Dark Green lens
				RL – Flat Red lens
				YL – Flat Amber lens
				HL – Honeycomb louver
				JBCP-150 – Concrete mounting kit

Fixtures shipped with standard lamp, unless otherwise specified.

LAMP TYPE: Standard lamp included with fixture. For other lamp and wattage options see Lamp Guide, pages 138–139.
OPTICS/AIMING: Adjustable lamp bracket provides up to ±25° of tilt as well as 360° rotation of the housing for precise beam control. Lamp bracket can be locked into place to prevent disrupting lamp position when relamping.
PHOTOMETRICS: For photometric data, see pages 143–145.
MOUNTING: In-grade. Conduit mount fixtures have two 3/4" NPT inlets on the bottom. Optional concrete mounting kits available, please see accessories column on fixture ordering information.
FASTENERS/INSERTS: All fasteners are stainless steel with brass inserts.
WIRING: All non-conduit mount fixtures are prewired with a three-foot pigtail of 18-2 direct-burial cable and underground connectors for a secure connection to the supply cable.

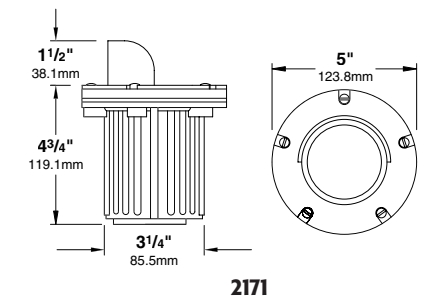
LED Specifications

LED: Type 3 Luxeon High Output LED with Vista exclusive smart-driver, powered to operate for 50,000 hours.
OPTICS: Integral high-efficiency optics available in spot through flood beam spreads.
ELECTRICAL: Input voltage range 6–15V AC, regulated to achieve uniform illumination throughout the cable run of fixtures. Integral surge and reverse polarity protection.

Check throughout this catalog for the LED available logo, designating products that can be ordered with LED lamp assemblies.



2171 Brass **MR-16** Lamp or **LED**
50 W Max **LN-20 BAB/FG Standard**



2172 Brass **MR-16** Lamp or **LED**
50 W Max **LN-20 BAB/FG Standard**

Not all accessories are available for all fixtures – please see all footnotes below before ordering.

