



INSTALLATION INSTRUCTIONS

FOR USE ONLY WITH LOW VOLTAGE LANDSCAPE POWER UNITS THAT DO NOT EXCEED 25 AMPS, 15 VOLT MAXIMUM.

WARNING: Luminaires must be installed in accordance with the National Electrical Code (NEC) and local codes. Failure to do so will void the warranty and may result in serious injury and/or damage to the luminaire.

SAFETY WARNING: Luminaire can become very hot depending on lamp wattage used. Lens and metal around lamp can become hot enough to blister hands. Particular care should be taken not to locate luminaires where small children can reach them if high wattage lamps are used.

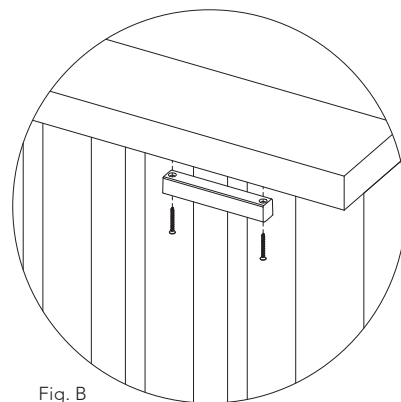
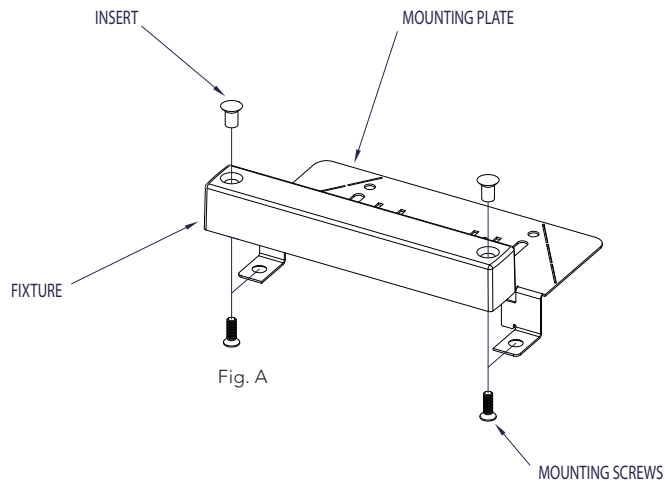
LUMINAIRES ARE NOT TO BE INSTALLED WITHIN 10 FT. (3.05M) OF A POOL OR SPA. SECONDARY CABLE IS NOT TO BE BURIED MORE THAN 6". WHEN USING MULTIPLE LUMINAIRES, LOAD IS NOT TO EXCEED THE TOTAL WATTS OF TRANSFORMER RATING. DO NOT USE EXTENSION CORDS ON POWER UNITS.

NOTE: Always use UL recognized wire connectors for connections.

NOTE: Save these instructions for future reference.

RAIL AND DECK MOUNTING:

1. To prevent electrical shock, disconnect transformer from electrical supply before installation or service.
 2. Loosen mounting plate screws and remove mounting plate along with inserts from top of the luminaire. (Fig. A)
 3. Choose preferred location on rail to mount the luminaire. (You may use the mounting holes on the removed mounting plate as a template to drill screw location on rail.) (Fig. B)
 4. Route wire through rail or deck to main power supply cable.
 5. Strip two leads from luminaire pigtail wire using two silicone filled safety connectors (provided), connect leads from luminaire to main supply cable leads.
- NOTE:** Luminaires are supplied with 10 feet of 18-2 cable pigtail for secure connection to main supply cable.





INSTALLATION INSTRUCTIONS

PAVER-WALL MOUNTING:

1. To prevent electrical shock, disconnect transformer from electrical supply before installation or service.
2. Insert stainless steel mounting plate between layers of hardscape material. Mounting plate may be modified to suit installation requirements. (Fig. F, G and H) (as an option, adhesive may be used to secure fixture position).
3. Route wire through wall to main power supply cable using standard masonry procedures.
4. Strip two leads from luminaire pigtail wire using two silicone filled safety connectors (provided), connect leads from luminaire to main supply cable leads.

NOTE: Luminaires are supplied with 10 feet of 18-2 cable pigtail for secure connection to main supply cable.

5. Provide power to luminaire and check for proper operation.

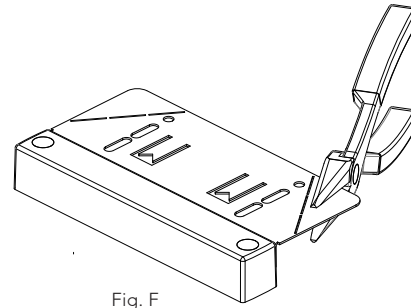


Fig. F

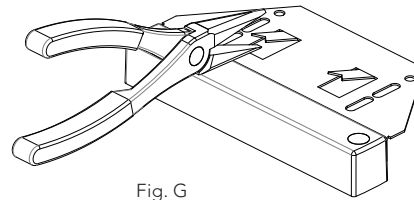


Fig. G

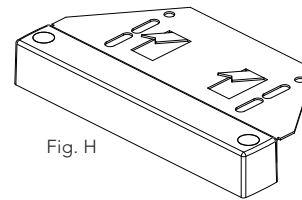


Fig. H

LED ENGINE INSTALLATION/REPLACEMENT:

1. To prevent electrical shock, disconnect transformer from electrical supply before service.
2. If tamper-proof clips are locked, loosen screws and slide clips open. The fixture is shipped from factory with tamper-proof clips in locked position. Release clips prior to installation/replacement if desired. (Fig. 1)
3. Detach LED engine from magnet in chassis by pulling tab. (Fig. 2)
4. Observing correct alignment & orientation snap new LED engine magnetically back into the chassis. (Fig. 3)

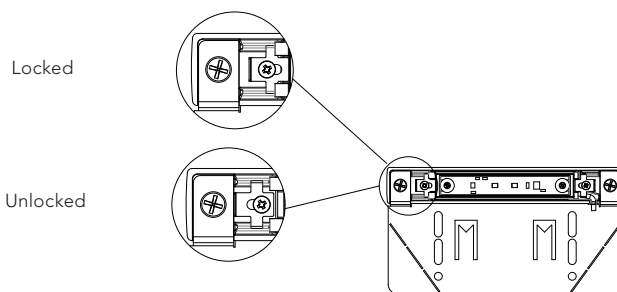


Fig. 1

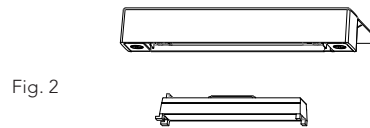


Fig. 2

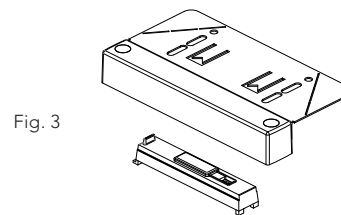


Fig. 3

The operating voltage range for this LED luminaire is 6 - 15 volt AC. The Vista electronic driver ensures the LED operates at the intended lumen output while receiving voltage as low as 6 volts, and as high as 15 VAC, resulting in a balanced lumen output from the first fixture to the last. Eliminating the dimness issues often attributed to voltage drop.

Note: Operating voltage range for LED luminaires will vary depending on model, style and total number of LEDs. To help determine the operating voltage range for each Vista luminaire, always consult factory's specification sheet and/or installation instructions before installation.