



INSTALLATION INSTRUCTIONS - For T3-LED & T3-Halogen

FOR USE ONLY WITH LOW VOLTAGE LANDSCAPE POWER UNITS THAT DO NOT EXCEED 25 AMPS, 15 VOLT MAXIMUM.

WARNING: Luminaires must be installed in accordance with the National Electrical Code (NEC) and local codes. Failure to do so will void the warranty and may result in serious injury and/or damage to the luminaire.

SAFETY WARNING: Luminaire can become very hot depending on lamp wattage used. Lens and metal around lamp can become hot enough to blister hands. Particular care should be taken not to locate luminaires where small children can reach them if high wattage lamps are used.

LUMINAIRES ARE NOT TO BE INSTALLED WITHIN 10 FT. (3.05M) OF A POOL OR SPA. SECONDARY CABLE IS NOT TO BE BURIED MORE THAN 6". WHEN USING MULTIPLE LUMINAIRES, LOAD IS NOT TO EXCEED THE TOTAL WATTS OF TRANSFORMER RATING. DO NOT USE EXTENSION CORDS ON POWER UNITS.

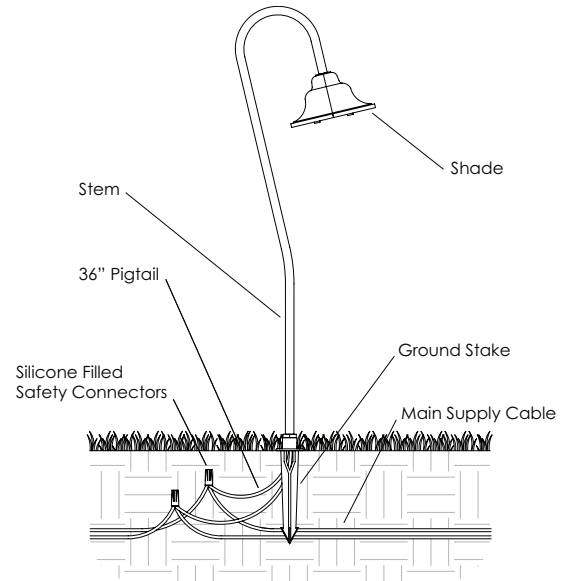
NOTE: Always use UL recognized wire connectors for connections.

LUMINAIRE IS UL LISTED FOR ABOVE GROUND INSTALLATION ONLY.



LUMINAIRE MOUNTING:

1. To prevent electrical shock, disconnect transformer from electrical supply before installation or service.
 2. Run wire pigtail from luminaire through mounting hole in top of ground stake.
 3. Thread luminaire into threaded hole in ground stake.
 4. Place stake in desired position and insert into ground until flange of stake is flush to grade.
 5. Strip two leads from luminaire pigtail. Using two silicone filled safety connectors (provided), connect leads from luminaire to main supply cable leads.
- NOTE:** Luminaires are supplied with 36" of 18-2 cable pigtail for secure connection to main supply cable. Wire is to be protected by routing in close proximity to luminaire. Wiring should be buried a maximum depth of 6 inches (15.2 cm) in order to connect to main supply cable.
6. Provide power to luminaire and check for proper operation.



IMPORTANT SAFETY INSTRUCTIONS - THE LIGHTED LAMP IS HOT!

WARNING - TO REDUCE THE RISK OF FIRE, OR INJURY TO PERSONS:

1. Turn off/unplug and allow to cool before replacing lamp.
2. Lamps get hot! Contact only switch/plug when turning on.

3. Do not touch hot lens, guard or enclosure.

4. Keep lamp away from material that may burn.

6. Do not operate luminaire fitting with a missing or damaged cover.

SAVE THESE INSTRUCTIONS (Leave with property owner/manager)

LAMP INSTALLATION/REPLACEMENT:

CAUTION: Do not exceed maximum wattage marked on luminaire label.

1. To prevent electrical shock, disconnect transformer from electrical supply before service.
2. Loosen thumb screws from luminaire shade.
3. Remove lens to expose lamp.
4. Replace lamp with correct wattage and type marked on fixture label.

NOTE: DO NOT touch lamp with bare hands. Always use soft cloth to handle lamp.

5. Re-install lens and tighten thumb screws evenly.

NOTE: Halogen lamps must be protected from moisture and dust at all times. Always re-install lens when removed.



INSTALLATION INSTRUCTIONS - For Integrated LED Module

FOR USE ONLY WITH LOW VOLTAGE LANDSCAPE POWER UNITS THAT DO NOT EXCEED 25 AMPS, 15 VOLT MAXIMUM.

WARNING: Luminaires must be installed in accordance with the National Electrical Code (NEC) and local codes. Failure to do so will void the warranty and may result in serious injury and/or damage to the luminaire.

SAFETY WARNING: Luminaire can become very hot depending on lamp wattage used. Lens and metal around lamp can become hot enough to blister hands. Particular care should be taken not to locate luminaires where small children can reach them if high wattage lamps are used.

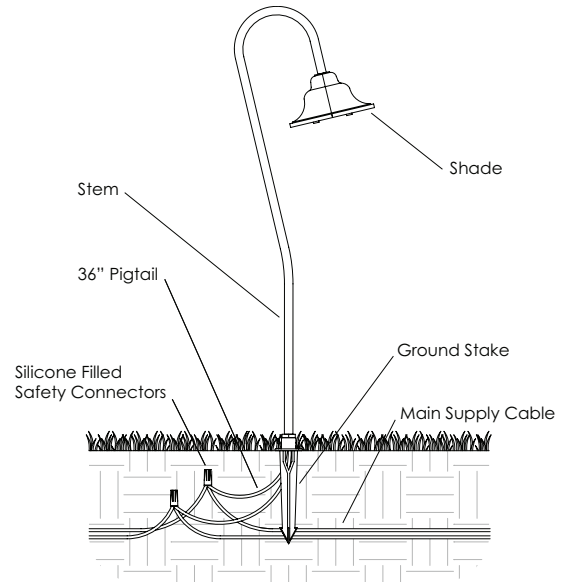
LUMINAIRES ARE NOT TO BE INSTALLED WITHIN 10 FT. (3.05M) OF A POOL OR SPA. SECONDARY CABLE IS NOT TO BE BURIED MORE THAN 6". WHEN USING MULTIPLE LUMINAIRES, LOAD IS NOT TO EXCEED THE TOTAL WATTS OF TRANSFORMER RATING. DO NOT USE EXTENSION CORDS ON POWER UNITS.

NOTE: Always use UL recognized wire connectors for connections.

LUMINAIRE IS UL LISTED FOR ABOVE GROUND INSTALLATION ONLY.

LUMINAIRE MOUNTING:

1. To prevent electrical shock, disconnect transformer from electrical supply before installation or service.
 2. Run wire pigtail from luminaire through mounting hole in top of ground stake.
 3. Thread luminaire into threaded hole in ground stake.
 4. Place stake in desired position and insert into ground until flange of stake is flush to grade.
 5. Strip two leads from luminaire pigtail. Using two silicone filled safety connectors (provided), connect leads from luminaire to main supply cable leads.
- NOTE:** Luminaires are supplied with 36" of 18-2 cable pigtail for secure connection to main supply cable. Wire is to be protected by routing in close proximity to luminaire. Wiring should be buried a maximum depth of 6 inches (15.2 cm) in order to connect to main supply cable.
6. Provide power to luminaire and check for proper operation.

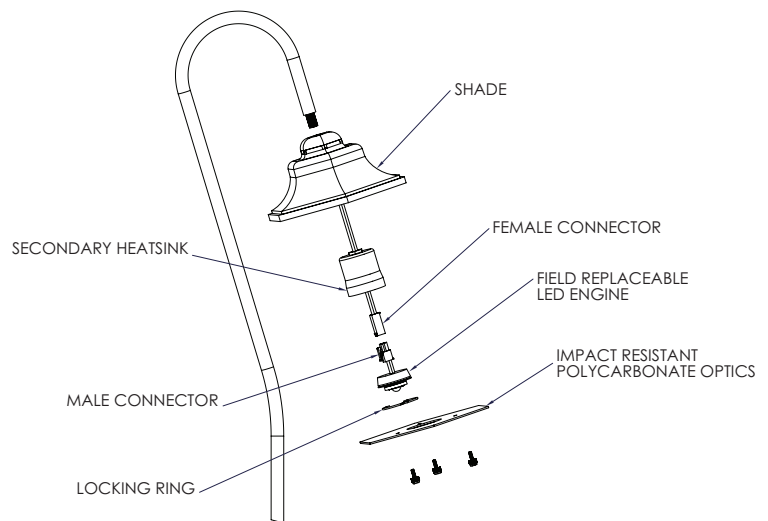


The operating voltage range for this LED luminaire is 6 - 15 volt AC. The Vista electronic driver ensures the LED operates at the intended lumen output while receiving voltage as low as 6 volts, and as high as 15 VAC, resulting in a balanced lumen output from the first fixture to the last. Eliminating the dimness issues often attributed to voltage drop.

Note: Operating voltage range for LED luminaires will vary depending on model, style and total number of LEDs. To help determine the operating voltage range for each Vista luminaire, always consult factory's specification sheet and/or installation instructions before installation.

LED ENGINE INSTALLATION/REPLACEMENT:

1. To prevent electrical shock, disconnect transformer from electrical supply before service.
2. Loosen thumb screws from luminaire shade.
3. Remove shade and lens assembly to expose LED engine.
4. Remove stainless steel locking/expansion ring.
5. Pull out field replaceable LED engine assembly.
6. Disconnect connector assembly.
7. Connect new field replaceable LED engine to connector assembly.
8. Reinstall LED engine and secure with stainless steel locking/expansion ring.
9. Reinstall shade and lens assembly and tighten thumb screws.



Vista Professional Outdoor Lighting reserves the right to modify the design and/or construction of the fixture shown without further notification.