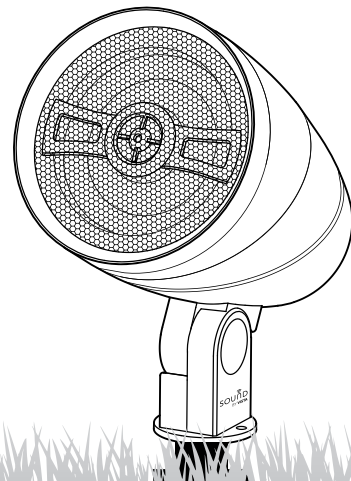
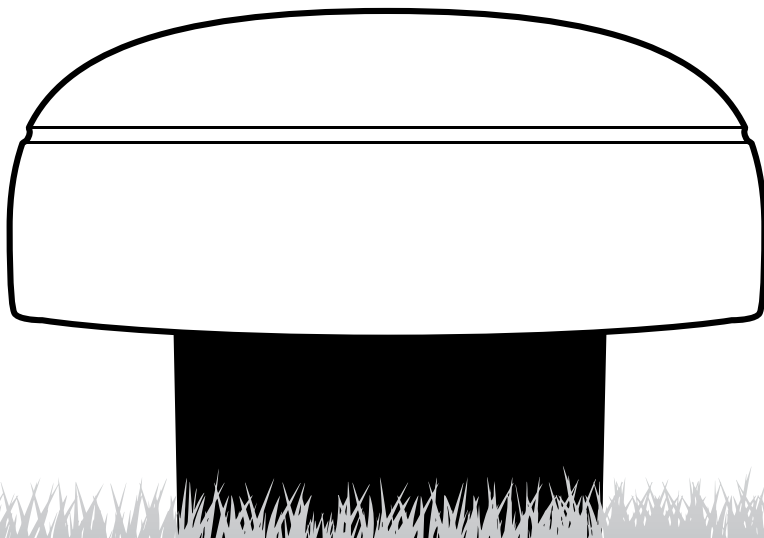


**SOUND**  
BY VISTA

# **SBV-10-4**

## **Hi-Fi Landscape Audio System**

*Installation Manual*



**VistaPro.com/Sound**

# Introduction

Thank you for your purchase of the Sound by Vista *SBV-10-4 Hi-Fi Landscape Audio System*. You have made a great investment in an outdoor audio system that will provide many years of enjoyment. The components in this system are made to withstand the harshest weather conditions.

This system is designed to work well with most two-channel receivers or amplifiers, and will support up to six (6) satellite speakers and one (1) dual VC subwoofer. Four satellite speakers and one subwoofer are included with the system. The system can be expanded by adding one additional pair of satellite speakers (SUB/SAT SBV-0-2). **We strongly recommend that you only use Sound by Vista satellite speakers to connect to this system. Most other brand speakers are not the correct impedance and could easily damage your audio equipment.**



## SUBWOOFER

- 10" (25.4 cm) Dual VC Long Throw Driver
- PP Waterproof Cone with Rubber Surround
- Magnet Structure: 33 oz.
- Power Handling: 150W
- Frequency Response: 40–85Hz ± 3 dB
- SPL: 90 dB @ 1w/1m
- PVC Bass Chamber
- Tuned Port with Flexible Rubber Elbow
- Acrylonitrile styrene acrylate (ASA) top hat to withstand harsh weather conditions
- Dimensions: 12.68" × 16.54" (32.2 cm × 42 cm)

» Can be positioned vertically or horizontally



## SATELLITE SPEAKER

- 4" (10.16 cm) PP Waterproof Cone with Rubber Surround
- Tweeter: 0.75" (1.9 cm) Marine Grade PEI Tweeter
- Frequency Response: 80Hz–20kHz
- SPL: 87 dB @ 1w/1m
- Power Handling: 100W
- Made with acrylonitrile styrene acrylate (ASA) to withstand harsh weather conditions
- Comes with 11" Ground Stake
- Dimensions (D x L x H): 5" × 7.6" × 7.7" (without stake), or 12.7 cm × 19.3 cm × 19.6 cm

» SBV-0-2 Additional Speaker Pair Available

# Installation Recommendations

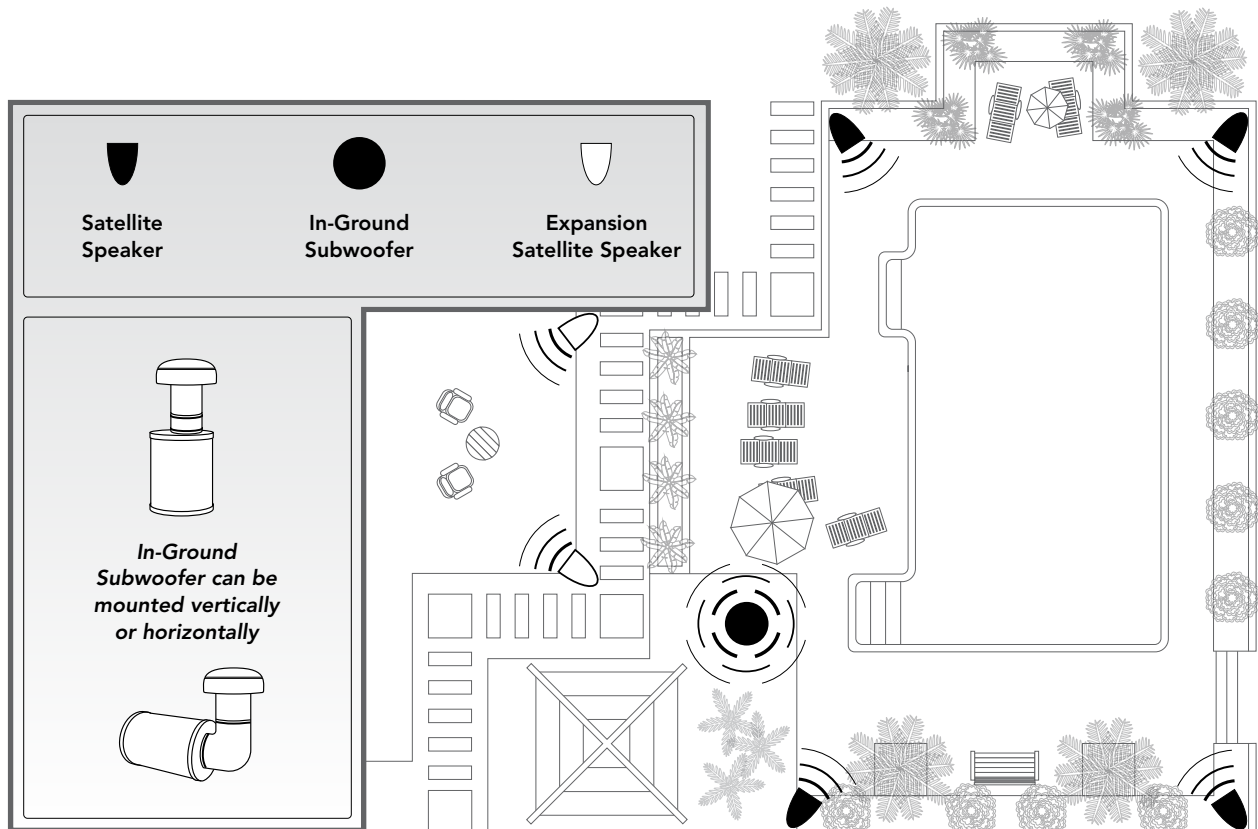
The satellite speakers & subwoofer should be placed evenly so the sound will be distributed throughout your landscape area. For best results, plan the exact locations of each speaker along with the direct burial wire prior to digging.

Sound by Vista recommends that the satellite speakers be placed 6–8 feet apart, and no more than 10 feet for the best listening experience. An example of a landscape audio layout is shown below.

The ideal position for the subwoofer is in the center of the satellite speaker arrangement; bass response is enhanced if placed next to a wall or solid surface.

<b>SPEAKER WIRE RECOMMENDATIONS</b> Always use multi-strand two or four conductor direct burial wire designed for speaker connections to the receiver or amplifier. Use this chart to select the minimum wire gauge for the length of the run.	Maximum Wire Length (Feet)	Recommended Gauge
	100	18
	150	16
	250	14
	400	12
	650	10

## SAMPLE LANDSCAPE AUDIO LAYOUT

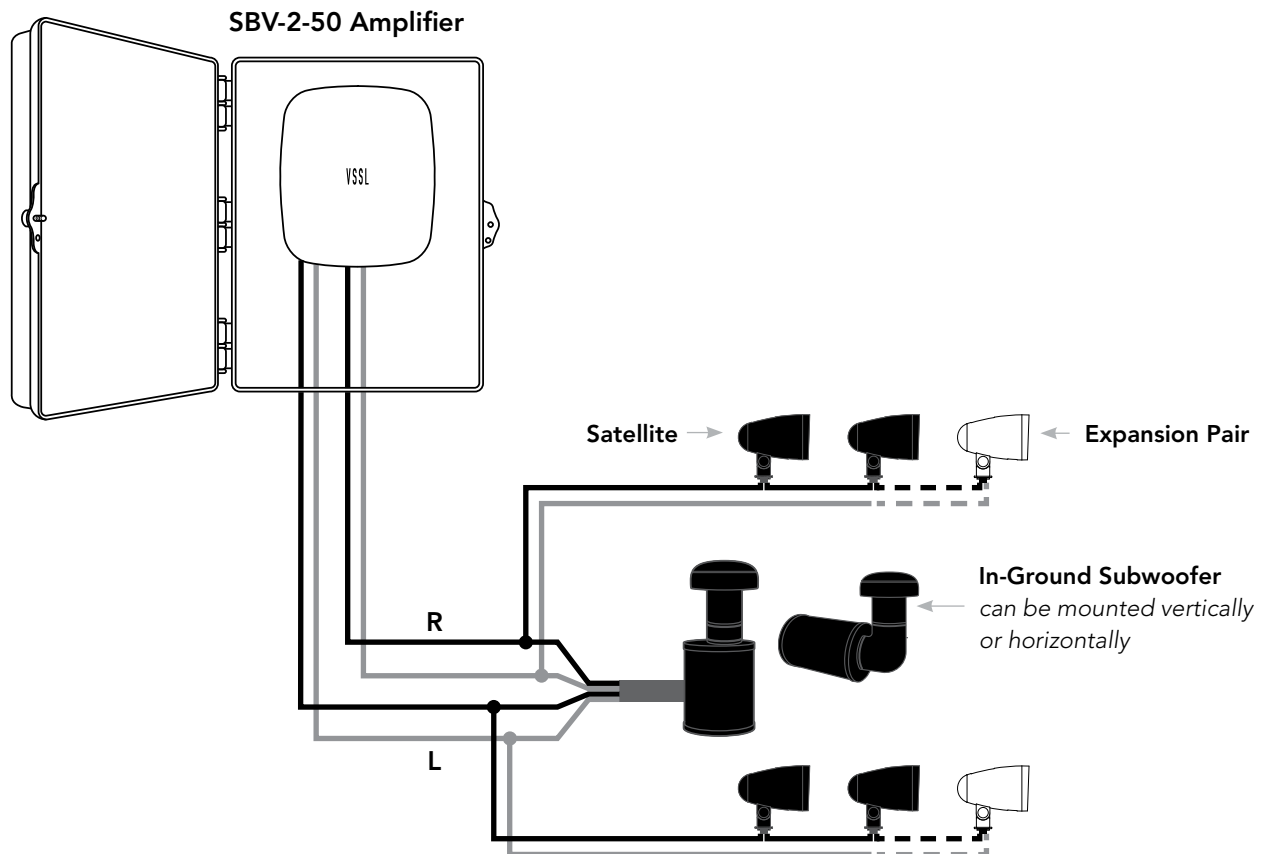


# Wiring Plan

The satellite speakers and subwoofer should be connected in two parallel wire runs and buried in a single trench. The SBV-10-4 system is designed for speakers to be evenly divided between two wire runs with the subwoofer connected to both right and left. Below is a recommended connection.

**\*CAUTION:** The SBV-10-4 Satellite Speakers are specifically designed for this system. There is no other brand of satellite or outdoor speakers that can be safely added to this system. **ONLY** add the Sound by Vista SBV-0-2 expansion speaker pair.

## WIRING DIAGRAM 1

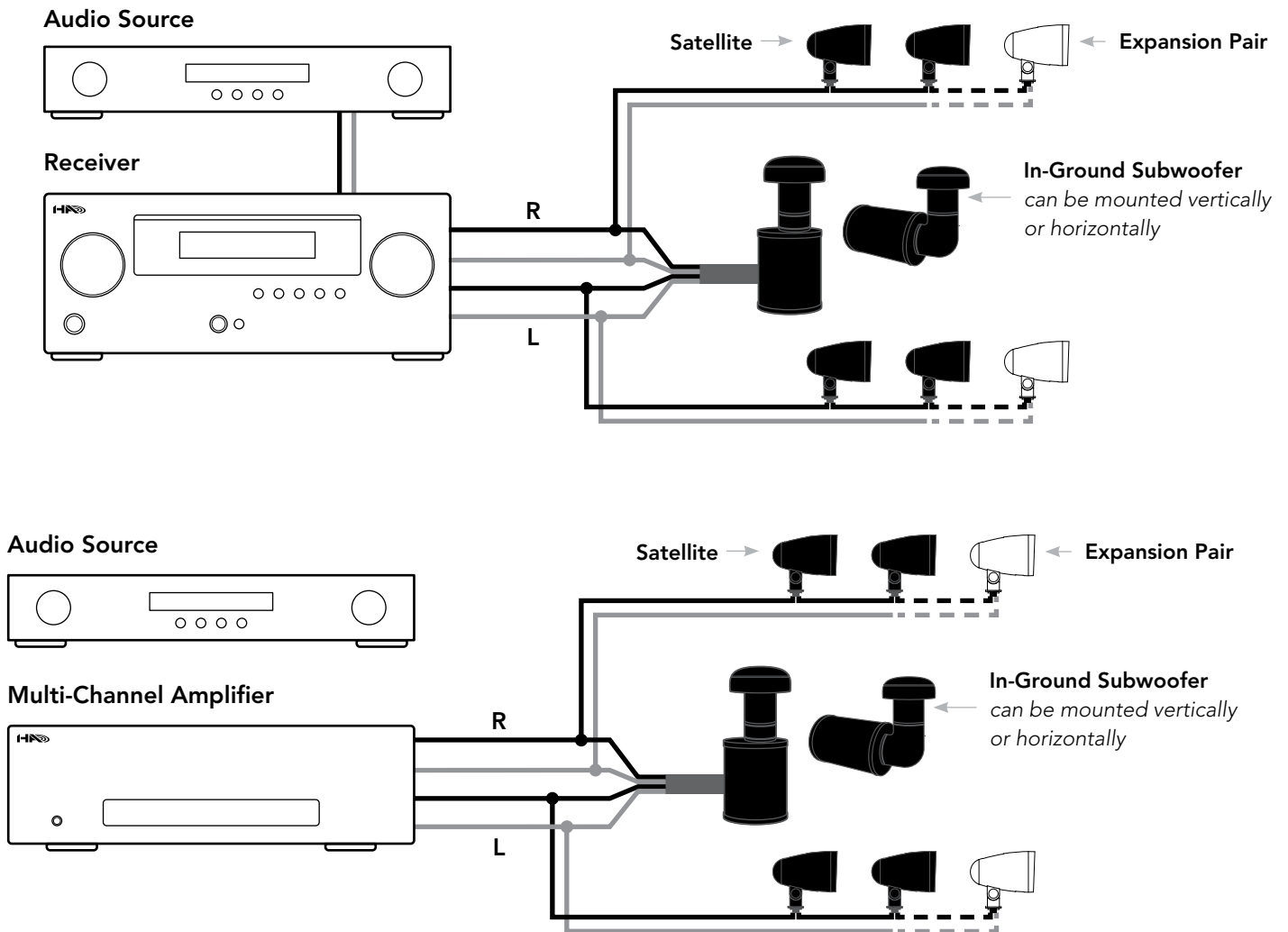


» The Expansion Speaker Pair *must* be the Sound by Vista "SBV-0-2"

The satellite speakers and subwoofer should be connected in two parallel wire runs and buried in a single trench. The SBV-10-4 system is designed for speakers to be evenly divided between two wire runs with the subwoofer connected to both right and left. Below is a recommended connection.

**\*CAUTION:** The SBV-10-4 Satellite Speakers are specifically designed for this system. There is no other brand of satellite or outdoor speakers that can be safely added to this system. **ONLY** add the Sound by Vista SBV-0-2 expansion speaker pair.

## WIRING DIAGRAM 2



» The Expansion Speaker Pair must be the Sound by Vista "SBV-0-2"

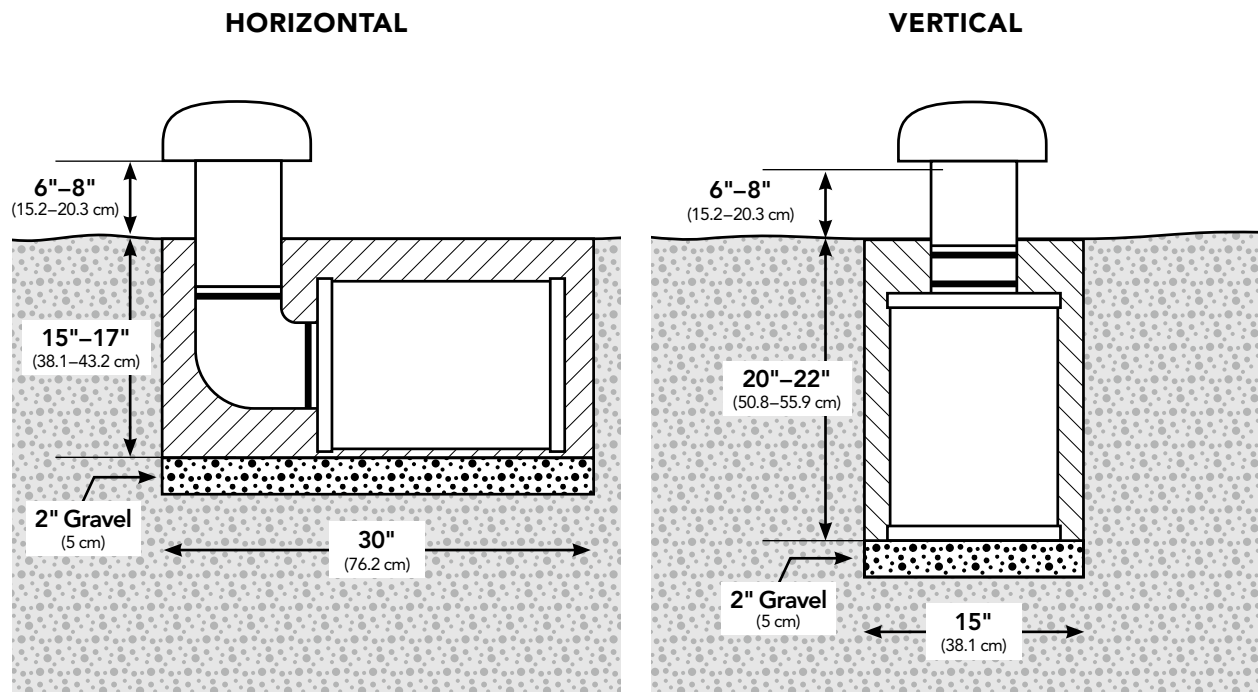
# Installation

Position the satellite speakers and subwoofer in your selected location. Adjust them accordingly where they would appear to deliver the best sound coverage.

**Prior to digging, Sound by Vista recommends calling 811, or 888-344-7233 in the United States. A professional will mark any underground cables (and gas line, if applicable) to minimize the risk of damage during installation.**

Sound by Vista recommends starting by digging a hole for the subwoofer (sizes noted below), which may be mounted vertically or horizontally. If mounted horizontally, the hole would need to be approximately 15" wide × 30" long × 17"–19" deep. If mounted vertically, the hold would need to be approximately 15" wide × 15" long × 22"–24" deep. This will leave approximately 6"–8" of the subwoofer port tube and cap above the ground after the installation.

You must add 1"–2" of gravel at the bottom of the hole to facilitate drainage around the base of unit. If you add a layer of gravel, dig the hole 1"–2" deeper to accommodate it.



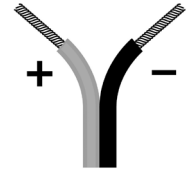
Dig a 5" trench where you plan to lay out the wire. It's a good idea to use the same 5" trench for all of the wire.

## WIRING

Sound by Vista recommends that you use only multi-strand direct burial wire. The gauge of the wire will depend on the length of the run (see page 2).

Your amplifier, **satellite speakers** use red for positive (+) and black for negative (-).

The **subwoofer** uses yellow for left positive (+), brown for left negative (-), blue for right positive (+) and green for right negative (-).



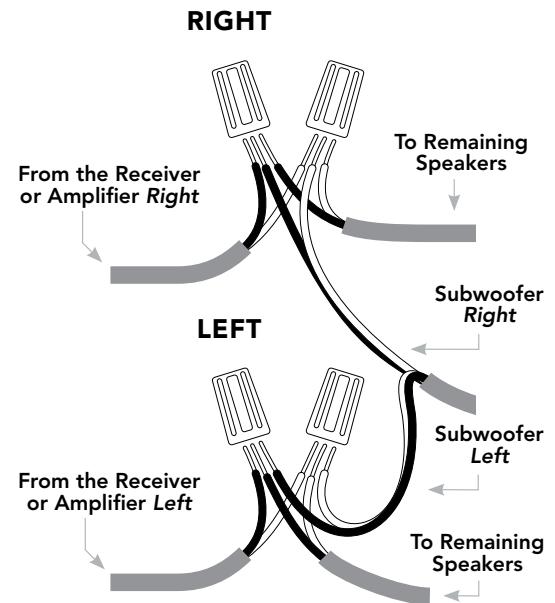
**It is very important that the same wire attached to the positive connector of the receiver or amplifier be attached to the positive connector of the speakers.**

**DO NOT connect your receiver or amplifier to an AC power outlet until all of the speakers are connected. DO NOT connect the speaker wires to the amplifier before all other connections have been made. DO NOT allow any stray (+) and (-) wire strands to come in contact with each other. This could damage your receiver or amplifier.**

Use only the waterproof wire nuts that came with your speakers. This will assure that no water will get in the connection.

The subwoofer has a dual voice coil with two sets of connections: one for the right channel, and one for the left. Making sure that the positive (+) is connected to the positive (+) and the negative (-) is connected to the negative (-), continue connecting the speakers independently (right and left channel), as noted on page 3.

Bundle all three of the right channel positive (+) wires from the first speaker, and wire the remaining speakers together as noted above. Then, do the same for the left channel negative (-) wires. Run the wires to the next speaker and connect them the same way.



## ADDITIONAL SPEAKER PAIR



You can safely add one additional pair of our satellite speakers to the system. The pair is known as the SUB/SAT SBV-0-2 and can be purchased through your Vista Pro distributor.

**CAUTION: Do not add any other brand of speakers to the system. The SBV-0-2 speakers are specifically designed for this system. Any other brand will have the wrong impedance and could damage your receiver or amplifier.**

# Technical Assistance

If you have any trouble with the installation or have any technical questions, please email us at [soundbyvista.support@vistapro.com](mailto:soundbyvista.support@vistapro.com) or call us at (805) 395-9120.

## Warranty

### LIMITED 5-YEAR WARRANTY

---

#### **Sound by Vista Limited Warranties and Liability**

Vista warrants that its speakers, subwoofers and accessories are free from defects in workmanship and materials only when purchased through an authorized Vista distributor. Vista offers a five-year (5-year) warranty against corrosion on all speakers, subwoofers and accessories.

At Vista's exclusive discretion, replacement or repair of authorized return items, found to be defective upon inspection within the warranty period, shall constitute fulfillment of all Vista obligations under its warranties. Warranties do not apply to amplifiers, enclosures or other equipment not manufactured by Vista. These items are covered as stated in their respective manufacturer's warranties. All warranty periods commence on date of shipment; all conditions of installation and operation must have been complied with, or all applicable warranties are void. Vista assumes no responsibility for the improper installation of its products or for labor costs involved in repair or replacement.

No other warranties or guarantees, either expressed or implied, exist beyond the stated warranties herein. No employee or agent of Vista may extend, modify and/or change the terms of these warranties. Under no conditions will Vista be liable for any incidental, consequential, special or money damages in connection with any breach of its aforementioned warranties.

#### **Merchandise Returns**

No speakers, subwoofers, amplifiers, enclosures or accessories may be returned by a customer without a prior written authorization in the form of a Return Goods Authorization (RGA) which has been issued by Vista's Customer Service Department. RGA's will be issued at the sole discretion of Vista and must be requested within sixty (60) days of shipment. Unless product is defective, all merchandise must be returned in its original sealed carton in saleable condition. Except for merchandise that is determined to be defective by Vista, all returns are subject to a 35% handling and restocking fee. All returned merchandise, defective or otherwise, must be shipped prepaid to the Vista factory. All outdated and/or discontinued speakers, subwoofers, amplifiers, enclosures and/or accessories are not returnable.

***Thank you for your purchase.***