



**MODEL MCS – 150** | Specification Sheet  
Residential Series • Mounting Canopy

TYPE:  MODEL:

PROJECT:

**PRODUCT FEATURES**



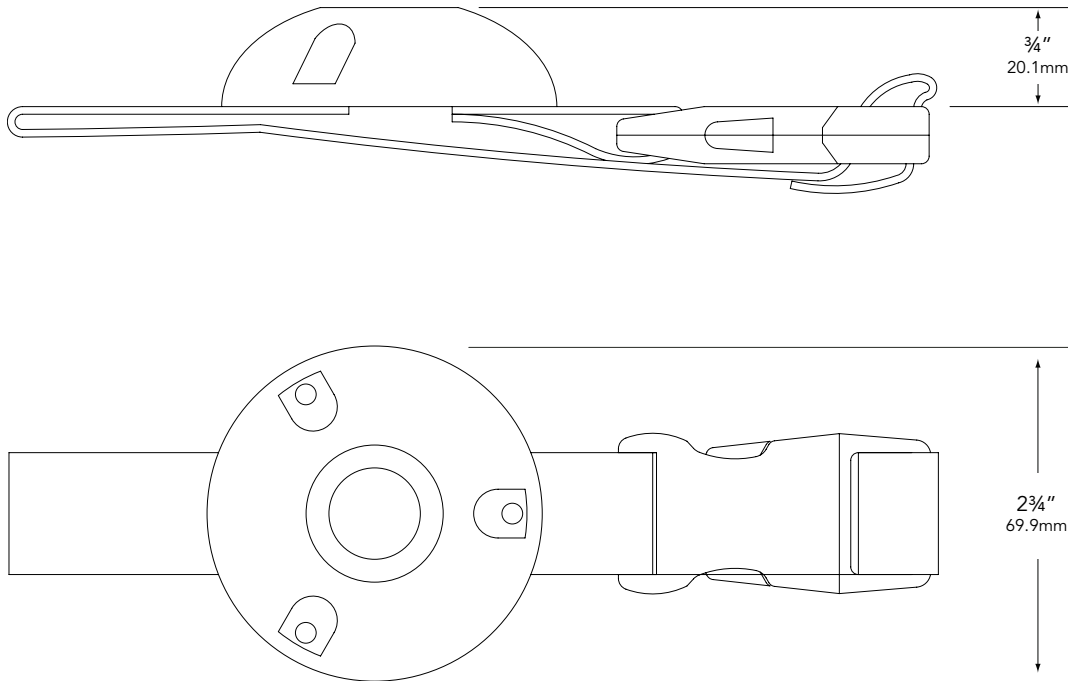
Type	Mounting Canopy with Strap
Material	Aluminum
Strap	UV-stable Adjustable Strap
Strap Length	Available in 12", 24", 36", and 48" lengths
Fixture Mounting	½" FPT
Finish	Powder Coat



**FINISH OPTIONS**

- |                           |                        |                         |
|---------------------------|------------------------|-------------------------|
| Black (-B)                | Light Bronze (-LZ)     | Weathered Iron (-WI)    |
| Architectural Bronze (-Z) | Special Bronze (-SB)   | Graphite Metallic (-GM) |
| Dark Bronze (-DZ)         | Glossy Gray (-GG)      | Verde (-G)              |
| Granite (-GT)             | Rust (-R)              | Pewter (-P)             |
| White (-W)                | Hunter Green (-HG)     | Mocha (-M)              |
| Architectural Brick (-BR) | Weathered Bronze (-WB) | Olde Finish (-OF)       |

**DIMENSIONS**



**PROFESSIONAL  
OUTDOOR LIGHTING**

[www.VistaPro.com](http://www.VistaPro.com) • [email@vistapro.com](mailto:email@vistapro.com) • Fax: (888) 670-VISTA (8478)  
1625 Surveyor Avenue • Simi Valley, CA 93063 • (805) 527-0987 • (800) 766-VISTA (8478)

Vista Professional Outdoor Lighting reserves the right to modify the design and/or construction of the fixture shown without further notification.