

IMPORTANT! – Please Read

SOUND
BY VISTA

Unlike Low-Voltage Lighting wire connection where it doesn't matter which of the two wires are connected to have the light work....IT DOES MATTER when you connect speaker wires.

THE WIRES HAVE TO BE CONNECTED CORRECTLY. THERE IS A POSITIVE (+) AND NEGATIVE (-). POSITIVE HAS TO BE CONNECTED TO THE POSITIVE & THE NEGATIVE HAS TO BE CONNECTED TO THE NEGATIVE. If not, the sound will be compromised (Lacking Bass).

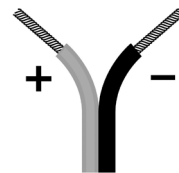
WIRING

(Insert from the Owner's Manual)

Sound by Vista recommends that you use only multi-strand direct burial wire. The gauge of the wire will depend on the length of the run (see page 2).

Your amplifier, **satellite speakers** use red for positive (+) and black for negative (-).

The **subwoofer** uses red for left positive (+), black for left negative (-), white for right positive (+) and green for right negative (-).



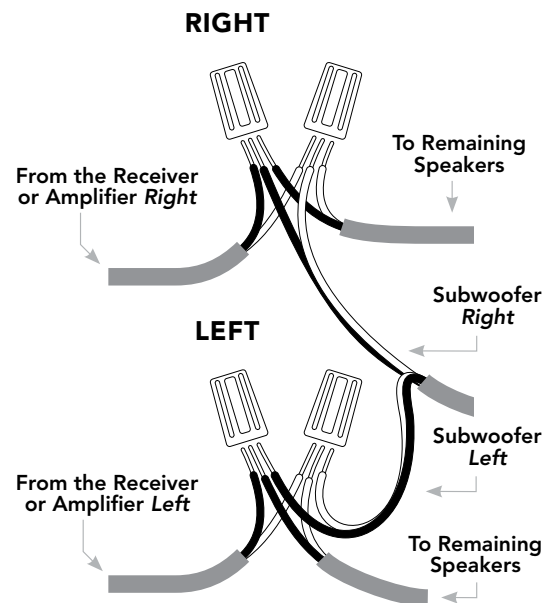
It is very important that the same wire attached to the positive connector of the receiver or amplifier be attached to the positive connector of the speakers.

DO NOT connect your receiver or amplifier to an AC power outlet until all of the speakers are connected. DO NOT connect the speaker wires to the amplifier before all other connections have been made. DO NOT allow any stray (+) and (-) wire strands to come in contact with each other. This could damage your receiver or amplifier.

Use only the waterproof wire nuts that came with your speakers. This will assure that no water will get in the connection.

The subwoofer has a dual voice coil with two sets of connections: one for the right channel, and one for the left. Making sure that the positive (+) is connected to the positive (+) and the negative (-) is connected to the negative (-), continue connecting the speakers independently (right and left channel), as noted on page 3.

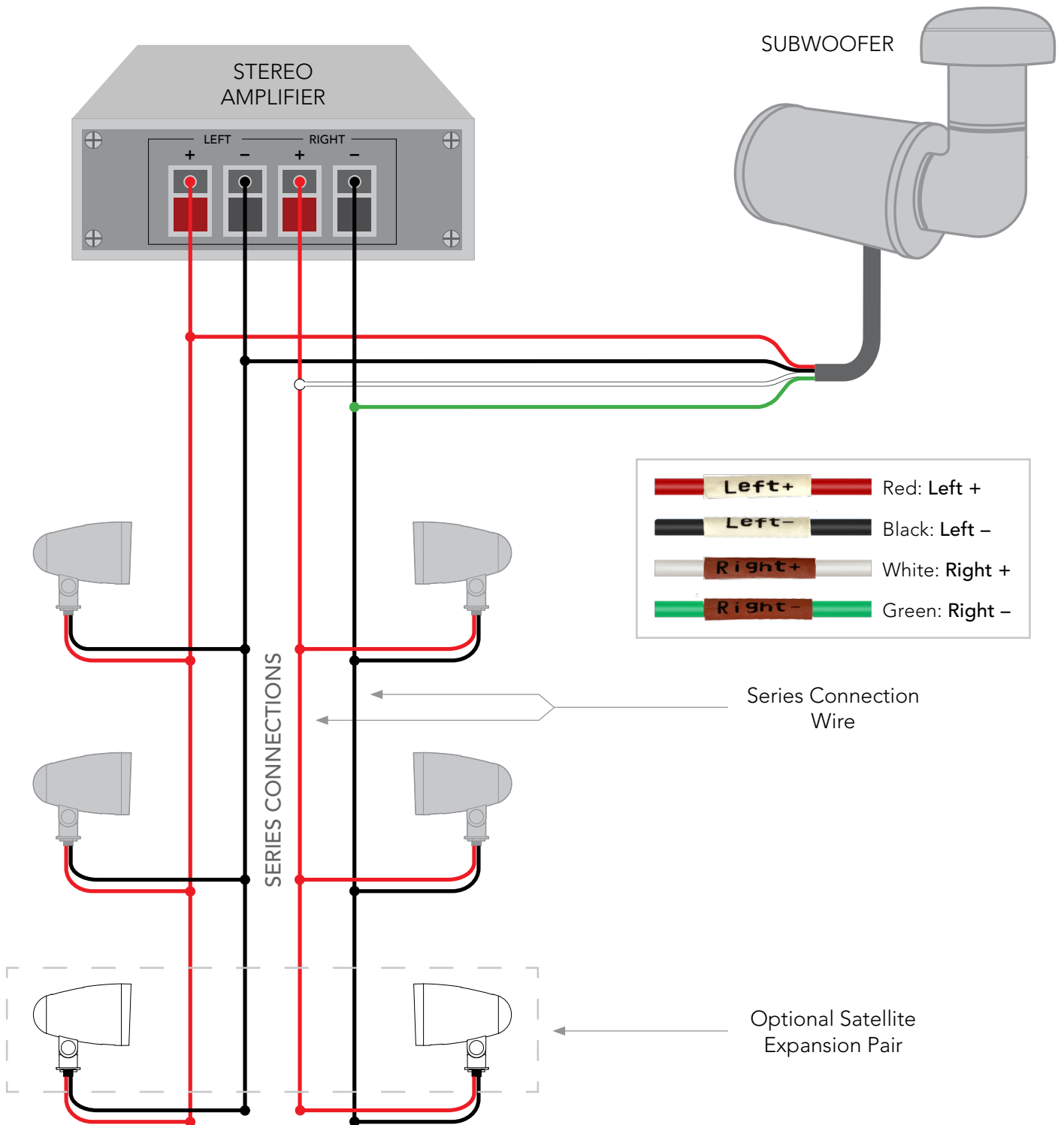
Bundle all three of the right channel positive (+) wires from the first speaker, and wire the remaining speakers together as noted above. Then, do the same for the left channel negative (-) wires. Run the wires to the next speaker and connect them the same way.



Most all direct burial cables have markings indicating one conductor from the other. It may have lettering or be ribbed. Please use as one being a Positive & the other being a Negative. Think of it as wiring an electrical connection in your house or automobile.

Subwoofer Wiring Example

(The wires on the Subwoofer are labeled)



Vista Pro wants you to experience the best sound possible.

Thank You!