



**MODEL TM – 150** | Specification Sheet  
Residential Series • Tree Mounts

TYPE:  MODEL:

PROJECT:

**PRODUCT FEATURES**



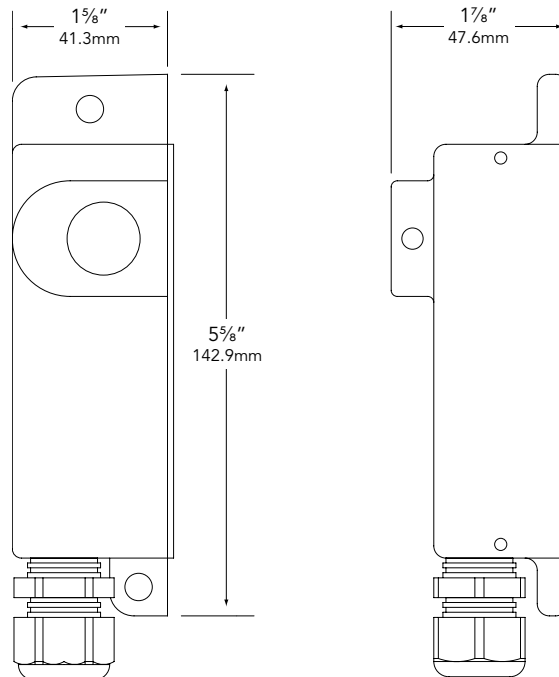
Type	Tree Mount Junction Box with Liquid Tight Cord Connector
Material	Aluminum
Fixture Mounting	½" FPT
Hardware	Stainless Steel Lag Screws and Hex Nuts included
Finish	Powder Coat
Dimensions	5 ⅝" L x 1 ⅝" W x 1 ⅞" D



**FINISH OPTIONS**

- |                           |                        |                         |
|---------------------------|------------------------|-------------------------|
| Black (-B)                | Light Bronze (-LZ)     | Weathered Iron (-WI)    |
| Architectural Bronze (-Z) | Special Bronze (-SB)   | Graphite Metallic (-GM) |
| Dark Bronze (-DZ)         | Glossy Gray (-GG)      | Verde (-G)              |
| Granite (-GT)             | Rust (-R)              | Pewter (-P)             |
| White (-W)                | Hunter Green (-HG)     | Mocha (-M)              |
| Architectural Brick (-BR) | Weathered Bronze (-WB) | Olde Finish (-OF)       |

**DIMENSIONS**



PROFESSIONAL  
OUTDOOR LIGHTING

www.VistaPro.com • email@vistapro.com • Fax: (888) 670-VISTA (8478)  
1625 Surveyor Avenue • Simi Valley, CA 93063 • (805) 527-0987 • (800) 766-VISTA (8478)

Vista Professional Outdoor Lighting reserves the right to modify the design and/or construction of the fixture shown without further notification.