



MODEL 5277 | Specification Sheet
Residential Series • In-Grade

TYPE: MODEL:

PROJECT:

PRODUCT FEATURES



Wattage	4.5 W or 5.5 W
Voltage	9 – 15 VAC
Lumens	295 or 389 Lumens
Lamp Type	MR-16 LED
Housing	Injection-Molded Polymer
Dimensions	5" DIA x 5 1/8" D



ORDERING INFORMATION

EXAMPLE: *GW-5277-BSO-4.5-W-36-CFR*

CATEGORY	MODEL	FINISH	LED	ACCESSORIES
	5277			

CATEGORY	MODEL	FINISH	LED	ACCESSORIES
GW In-Grade CM In-Grade Conduit Mount	5277	BSO Olde Brass	4.5-W-15 4.5 Watts Warm 15° Narrow Spot 4.5-W-25 4.5 Watts Warm 25° Spot 4.5-W-36 4.5 Watts Warm 36° Flood 4.5-W-60 4.5 Watts Warm 60° Wide Flood 5.5-W-15 5.5 Watts Warm 15° Narrow Spot 5.5-W-25 5.5 Watts Warm 25° Spot 5.5-W-36 5.5 Watts Warm 36° Flood 5.5-W-60 5.5 Watts Warm 60° Wide Flood NL No Lamp	CFR Crowned Frosted Lens CBL Crowned Cool Blue Lens SL Flat Spread Lens DBL Flat Dark Blue Lens GL Flat Dark Green Lens RL Flat Red Lens YL Flat Amber Lens HL Honeycomb Louver
				ORDERING NOTES



**PROFESSIONAL
OUTDOOR LIGHTING**

www.VistaPro.com • email@vistapro.com • Fax: (888) 670-VISTA (8478)
1625 Surveyor Avenue • Simi Valley, CA 93063 • (805) 527-0987 • (800) 766-VISTA (8478)

Vista Professional Outdoor Lighting reserves the right to modify the design and/or construction of the fixture shown without further notification.



SPECIFICATIONS

HOUSING CONSTRUCTION:

Injection-molded glass-reinforced polymer.

LENS COVER CONSTRUCTION:

Die-cast Brass.

FINISH:

Olde Brass.

LENS:

Clear, tempered glass lens.
Optical effect lenses are available.

OPTICS/AIMING:

Lens cover provides 180° of horizontal light distribution.
Adjustable lamp bracket provides up to ±25° of tilt as well as 360° rotation of housing for precise beam control. Lamp bracket can be locked into place to prevent disrupting lamp position when relamping.

MOUNTING:

In-grade. Mounting accessories not required.
Conduit mount fixtures have two 3/4" NPT inlets on bottom.
Optional concrete mounting kit available.

FASTENERS:

All fasteners are stainless steel.

WIRING:

Prewired with a 36" pigtail of 18-2 direct-burial cable and underground connectors.

CERTIFICATION:

UL Listed to U.S. and Canadian safety standards for low voltage landscape luminaires (UL 1838).

LED:

MR-16 LED Lamp.
295 or 389 Lumens.
4.5 or 5.5 Watts.

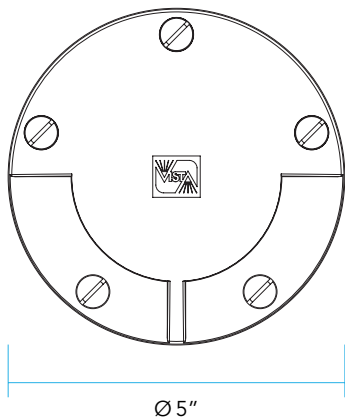
ELECTRICAL:

Input voltage range 9 - 15 VAC.
Low voltage transformer required to operate (sold separately).

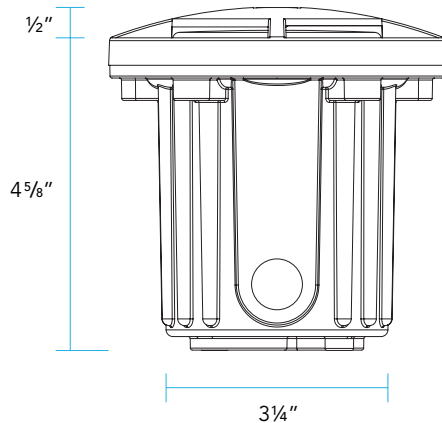
LIGHT DISTRIBUTION:

Very Narrow Spot **15** (15°)
Narrow Spot **25** (25°)
Medium Flood **36** (36°)
Wide Flood **60** (60°)

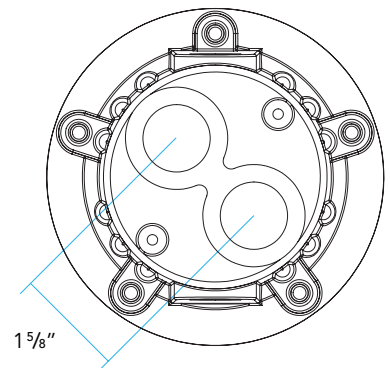
DIMENSIONS



Top



Front



Bottom

[conduit mount (CM) option shown]

