



MODEL TMS – 150 | Specification Sheet
Residential Series • Tree Mounts

TYPE: MODEL:

PROJECT:

PRODUCT FEATURES



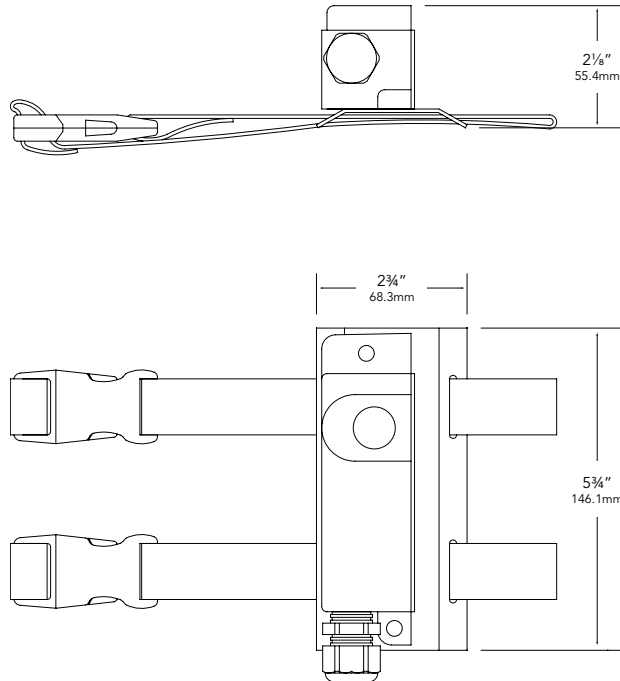
Type	Tree Mount Junction Box with Cord Connector and Strap
Material	Aluminum
Strap	UV-stable Adjustable Strap
Strap Length	Available in 12", 24", 36", and 48" lengths
Fixture Mounting	1/2" FPT
Finish	Powder Coat



FINISH OPTIONS

- | | | |
|---------------------------|------------------------|-------------------------|
| Black (-B) | Light Bronze (-LZ) | Weathered Iron (-WI) |
| Architectural Bronze (-Z) | Special Bronze (-SB) | Graphite Metallic (-GM) |
| Dark Bronze (-DZ) | Glossy Gray (-GG) | Verde (-G) |
| Granite (-GT) | Rust (-R) | Pewter (-P) |
| White (-W) | Hunter Green (-HG) | Mocha (-M) |
| Architectural Brick (-BR) | Weathered Bronze (-WB) | Olde Finish (-OF) |

DIMENSIONS



PROFESSIONAL
OUTDOOR LIGHTING

www.VistaPro.com • email@vistapro.com • Fax: (888) 670-VISTA (8478)
1625 Surveyor Avenue • Simi Valley, CA 93063 • (805) 527-0987 • (800) 766-VISTA (8478)

Vista Professional Outdoor Lighting reserves the right to modify the design and/or construction of the fixture shown without further notification.