



**MODEL JB-250** | Specification Sheet  
Residential Series • In-Grade Junction Box

TYPE:  MODEL:   
PROJECT:

**PRODUCT FEATURES**

Housing	Injection-Molded Polymer
Hub Openings	One 1/2" NPT (lid-fixturing mounting). Two 1/2" NPT side (electrical entry). Two 1/2" NPT bottom (electrical entry).
Mounting	In-grade. Optional concrete mounting kit available.



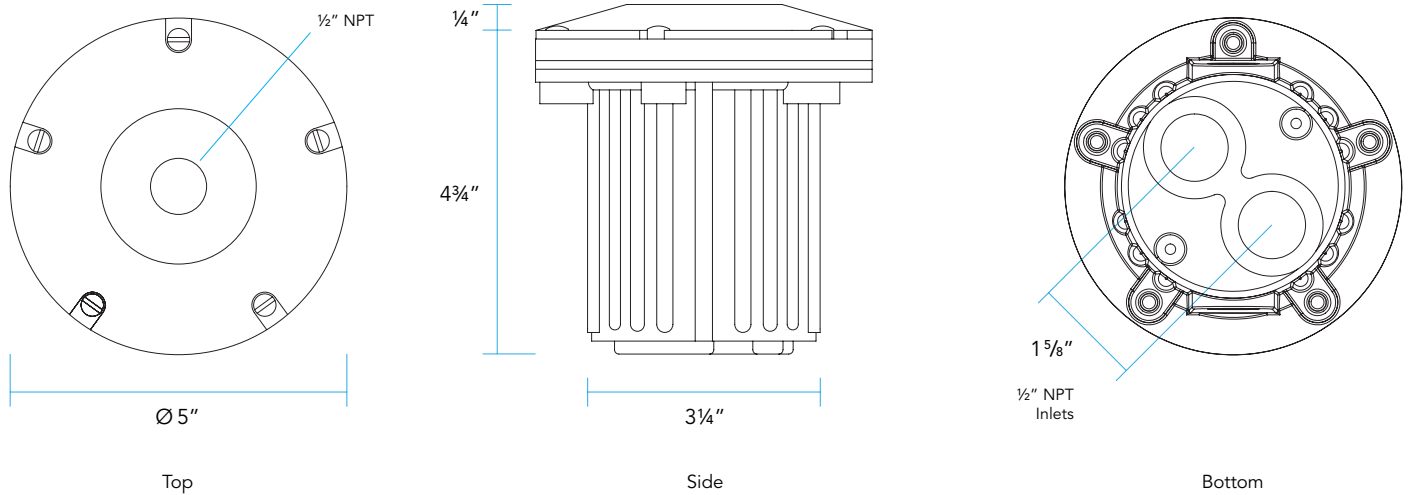
**ORDERING INFORMATION**

MODEL	FINISH
JB-250	

EXAMPLE: **JB-250-B**

MODEL	FINISH			
JB-250	<b>B</b> Black	<b>BR</b> Architectural Brick	<b>HG</b> Hunter Green	<b>G</b> Verde
	<b>Z</b> Architectural Bronze	<b>LZ</b> Light Bronze	<b>WB</b> Weathered Bronze	<b>P</b> Pewter
	<b>DZ</b> Dark Bronze	<b>SB</b> Special Bronze	<b>WI</b> Weathered Iron	<b>M</b> Mocha
	<b>GT</b> Granite	<b>GG</b> Glossy Gray	<b>GM</b> Graphite Metallic	<b>OF</b> Olde Finish
	<b>W</b> White	<b>R</b> Rust		

**DIMENSIONS**



PROFESSIONAL  
OUTDOOR LIGHTING

www.VistaPro.com • email@vistapro.com • Fax: (888) 670-VISTA (8478)  
1625 Surveyor Avenue • Simi Valley, CA 93063 • (805) 527-0987 • (800) 766-VISTA (8478)

Vista Professional Outdoor Lighting reserves the right to modify the design and/or construction of the fixture shown without further notification.