



**MODEL 5260** | Specification Sheet  
Residential Series • In-Grade

TYPE:  MODEL:

PROJECT:

**PRODUCT FEATURES**



Wattage	4.5 W or 5.5 W
Voltage	9 – 15 VAC
Lumens	295 or 389 Lumens
Lamp Type	MR-16 LED
Housing	Die-cast Aluminum
Dimensions	5" DIA x 5" D



**ORDERING INFORMATION**

EXAMPLE: **GW-5260-B-4.5-W-36-CFR**

CATEGORY	MODEL	FINISH	LED	ACCESSORIES
	5260			

CATEGORY	MODEL	FINISH	LED	ACCESSORIES
<b>GW</b> In-Grade	<b>5260</b>	<b>B</b> Black	<b>BR</b> Architectural Brick	<b>G</b> Verde
<b>CM</b> In-Grade Conduit Mount		<b>Z</b> Architectural Bronze	<b>LZ</b> Light Bronze	<b>P</b> Pewter
		<b>DZ</b> Dark Bronze	<b>SB</b> Special Bronze	<b>M</b> Mocha
		<b>GT</b> Granite	<b>GG</b> Glossy Gray	<b>OF</b> Olde Finish
		<b>W</b> White	<b>R</b> Rust	
			<b>HG</b> Hunter Green	
			<b>WB</b> Weathered Bronze	
			<b>WI</b> Weathered Iron	
			<b>GM</b> Graphite Metallic	

LED	ACCESSORIES	ORDERING NOTES
<b>4.5-W-15</b> 4.5 Watts   Warm   15° Narrow Spot	<b>CFR</b> Crowned Frosted Lens	
<b>4.5-W-25</b> 4.5 Watts   Warm   25° Spot	<b>CBL</b> Crowned Cool Blue Lens	
<b>4.5-W-36</b> 4.5 Watts   Warm   36° Flood	<b>SL</b> Flat Spread Lens	
<b>4.5-W-60</b> 4.5 Watts   Warm   60° Wide Flood	<b>DBL</b> Flat Dark Blue Lens	
<b>5.5-W-15</b> 5.5 Watts   Warm   15° Narrow Spot	<b>GL</b> Flat Dark Green Lens	
<b>5.5-W-25</b> 5.5 Watts   Warm   25° Spot	<b>RL</b> Flat Red Lens	
<b>5.5-W-36</b> 5.5 Watts   Warm   36° Flood	<b>YL</b> Flat Amber Lens	
<b>5.5-W-60</b> 5.5 Watts   Warm   60° Wide Flood	<b>HL</b> Honeycomb louver	
<b>NL</b> No Lamp		



**PROFESSIONAL  
OUTDOOR LIGHTING**

www.VistaPro.com • email@vistapro.com • Fax: (888) 670-VISTA (8478)  
1625 Surveyor Avenue • Simi Valley, CA 93063 • (805) 527-0987 • (800) 766-VISTA (8478)

Vista Professional Outdoor Lighting reserves the right to modify the design and/or construction of the fixture shown without further notification.



**SPECIFICATIONS**

**HOUSING CONSTRUCTION:**

Die-cast A360 aluminum.

**LENS COVER CONSTRUCTION:**

Die-cast A360 aluminum.

**FINISH:**

Powder coat finish available in Black, Architectural Bronze, Dark Bronze, Granite, White, Architectural Brick, Light Bronze, Special Bronze, Glossy Gray, Rust, Hunter Green, Weathered Bronze, Weathered Iron, Graphite Metallic, Verde, Pewter, Mocha and Olde Finish.

**LENS:**

Clear, tempered glass lens.  
Optical effect lenses are available.

**OPTICS/AIMING:**

Adjustable lamp bracket provides up to ±25° of tilt as well as 360° rotation of housing for precise beam control. Lamp bracket can be locked into place to prevent disrupting lamp position when relamping.

**MOUNTING:**

In-grade. Mounting accessories not required.  
Conduit mount fixtures have two 3/4" NPT inlets on bottom.  
Optional concrete mounting kit available.

**FASTENERS:**

All fasteners are stainless steel.

**WIRING:**

Prewired with a 36" pigtail of 18-2 direct-burial cable and underground connectors.

**CERTIFICATION:**

UL Listed to U.S. and Canadian safety standards for low voltage landscape luminaires (UL 1838).

**LED:**

MR-16 LED Lamp.  
295 or 389 Lumens.  
4.5 or 5.5 Watts.

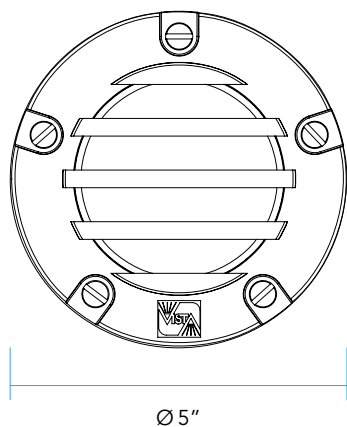
**LIGHT DISTRIBUTION:**

Very Narrow Spot **15** (15°)  
Narrow Spot **25** (25°)  
Medium Flood **36** (36°)  
Wide Flood **60** (60°)

**ELECTRICAL:**

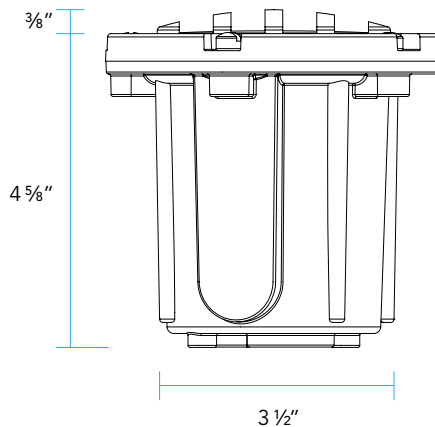
Input voltage range 9 - 15 VAC.  
Low voltage transformer required to operate (sold separately).

**DIMENSIONS**



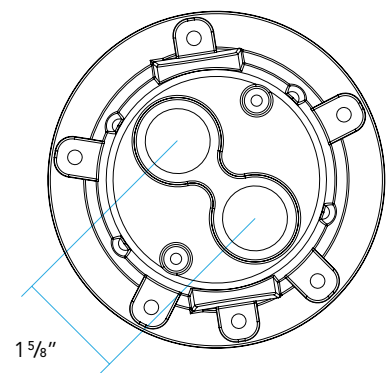
Ø 5"

Top



3 1/2"

Side



1 5/8"

Bottom

[ conduit mount (CM) option shown ]

