



MODEL 5270 | Specification Sheet
Residential Series • In-Grade

TYPE: MODEL:

PROJECT:

PRODUCT FEATURES



| | |
|------------|--------------------------|
| Wattage | 4.5 W or 5.5 W |
| Voltage | 9 – 15 VAC |
| Lumens | 295 or 389 Lumens |
| Lamp Type | MR-16 LED |
| Housing | Injection-Molded Polymer |
| Dimensions | 5" DIA x 5" D |



ORDERING INFORMATION

EXAMPLE: **GW-5270-B-4.5-W-36-CFR**

| CATEGORY | MODEL | FINISH | LED | ACCESSORIES |
|----------|-------|--------|-----|-------------|
| | 5270 | | | |

| CATEGORY | MODEL | FINISH | LED | ACCESSORIES |
|----------------------------------|-------------|-------------------------------|-------------------------------|-----------------------|
| GW In-Grade | 5270 | B Black | BR Architectural Brick | G Verde |
| CM In-Grade Conduit Mount | | Z Architectural Bronze | LZ Light Bronze | P Pewter |
| | | DZ Dark Bronze | SB Special Bronze | M Mocha |
| | | GT Granite | GG Glossy Gray | OF Olde Finish |
| | | W White | R Rust | |
| | | | HG Hunter Green | |
| | | | WB Weathered Bronze | |
| | | | WI Weathered Iron | |
| | | | GM Graphite Metallic | |

| LED | ACCESSORIES | ORDERING NOTES |
|--|-----------------------------------|----------------|
| 4.5-W-15 4.5 Watts Warm 15° Narrow Spot | CFR Crowned Frosted Lens | |
| 4.5-W-25 4.5 Watts Warm 25° Spot | CBL Crowned Cool Blue Lens | |
| 4.5-W-36 4.5 Watts Warm 36° Flood | SL Flat Spread Lens | |
| 4.5-W-60 4.5 Watts Warm 60° Wide Flood | DBL Flat Dark Blue Lens | |
| 5.5-W-15 5.5 Watts Warm 15° Narrow Spot | GL Flat Dark Green Lens | |
| 5.5-W-25 5.5 Watts Warm 25° Spot | RL Flat Red Lens | |
| 5.5-W-36 5.5 Watts Warm 36° Flood | YL Flat Amber Lens | |
| 5.5-W-60 5.5 Watts Warm 60° Wide Flood | HL Honeycomb louver | |
| NL No Lamp | | |



PROFESSIONAL
OUTDOOR LIGHTING

www.VistaPro.com • email@vistapro.com • Fax: (888) 670-VISTA (8478)
1625 Surveyor Avenue • Simi Valley, CA 93063 • (805) 527-0987 • (800) 766-VISTA (8478)

Vista Professional Outdoor Lighting reserves the right to modify the design and/or construction of the fixture shown without further notification.



SPECIFICATIONS

HOUSING CONSTRUCTION:

Injection-molded glass-reinforced polymer.

LENS COVER CONSTRUCTION:

Injection-molded glass-reinforced polymer.

FINISH:

Powder coat finish available in Black, Architectural Bronze, Dark Bronze, Granite, White, Architectural Brick, Light Bronze, Special Bronze, Glossy Gray, Rust, Hunter Green, Weathered Bronze, Weathered Iron, Graphite Metallic, Verde, Pewter, Mocha and Olde Finish.

LENS:

Clear, tempered glass lens.
Optical effect lenses are available.

OPTICS/AIMING:

Adjustable lamp bracket provides up to $\pm 25^\circ$ of tilt as well as 360° rotation of housing for precise beam control. Lamp bracket can be locked into place to prevent disrupting lamp position when relamping.

MOUNTING:

In-grade. Mounting accessories not required.
Conduit mount fixtures have two $\frac{3}{4}$ " NPT inlets on bottom.
Optional concrete mounting kit available.

FASTENERS:

All fasteners are stainless steel.

WIRING:

Prewired with a 36" pigtail of 18-2 direct-burial cable and underground connectors.

CERTIFICATION:

UL Listed to U.S. and Canadian safety standards for low voltage landscape luminaires (UL 1838).

LED:

MR-16 LED Lamp.
295 or 389 Lumens.
4.5 or 5.5 Watts.

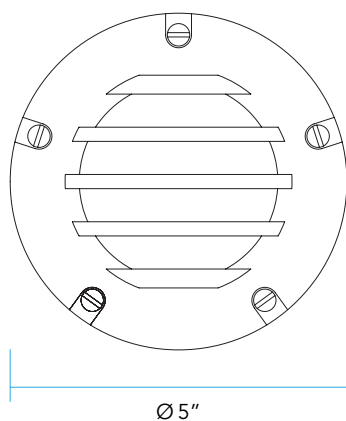
LIGHT DISTRIBUTION:

Very Narrow Spot **15** (15°)
Narrow Spot **25** (25°)
Medium Flood **36** (36°)
Wide Flood **60** (60°)

ELECTRICAL:

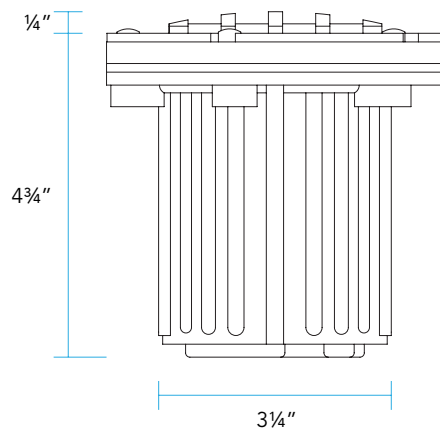
Input voltage range 9 - 15 VAC.
Low voltage transformer required to operate (sold separately).

DIMENSIONS



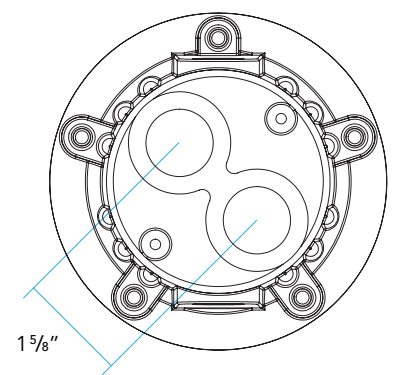
Ø 5"

Top



3 1/4"

Side



1 5/8"

Bottom

[conduit mount (CM) option shown]

